

DESCRIPTION: 35° ENTRY - DIE CAST

SPECIFICATION:

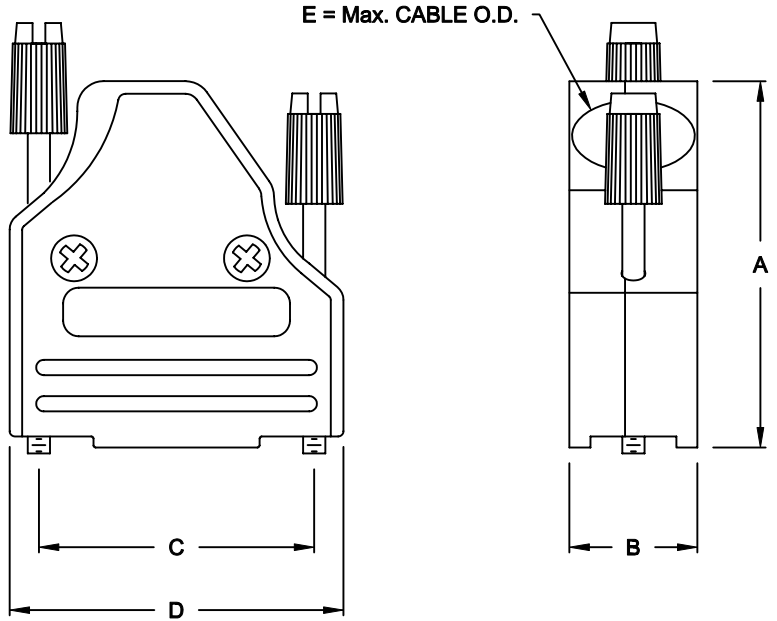
MATERIAL: ZINC, NICKEL PLATED,
COPPER UNDER PLATE

BACKSHELL KIT INCLUDES:

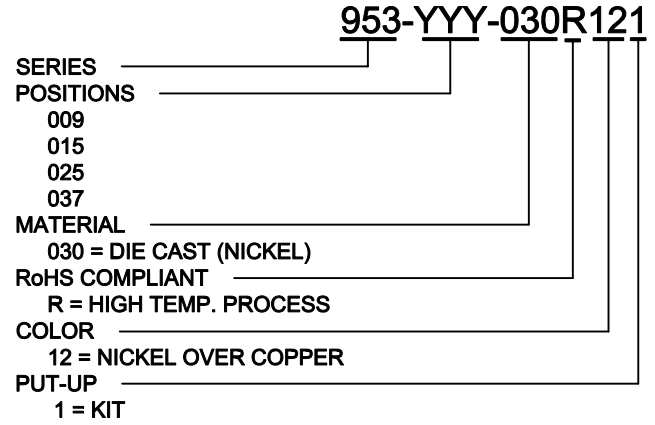
- (2) BACKSHELL HALVES
- (2) STRAIN RELIEF CLAMPS
- (2) STRAIN RELIEF SCREWS
- (2) MOUNTING SCREWS
- (2) THUMBSCREWS *** (SEE NOTE) ***
- (3-SETS) METALIZED PLASTIC INSERTS

NOTE:

- 9-POSITION - 1 LONG THUMBSCREW WITH PLASTIC CAP
- 15-POSITION - 1 LONG THUMBSCREW WITH PLASTIC CAP
1 SHORT THUMBSCREW WITH METAL CAP
- 25-POSITION - 1 LONG THUMBSCREW WITH PLASTIC CAP
1 SHORT THUMBSCREW WITH PLASTIC CAP
- 37-POSITION - 1 LONG THUMBSCREW WITH PLASTIC CAP
1 SHORT THUMBSCREW WITH PLASTIC CAP



DIMENSIONS (IN.)					
No. OF PINS	A	B	C	D	E
09	1.693	0.610	0.984	1.260	0.512
15	1.693	0.610	1.312	1.591	0.512
25	1.890	0.610	1.852	2.126	0.512
37	2.087	0.610	2.500	2.776	0.512



DO NOT SCALE FROM DRAWING

	THESE DRAWINGS AND SPECIFICATIONS ARE THE PROPERTY OF NorComp AND SHALL NOT BE REPRODUCED, COPIED OR USED AS THE BASIS FOR THE MANUFACTURE OF SALE OF APPARATUS WITHOUT WRITTEN PERMISSION.		DRAWN: C. SMITH	DATE: 03-26-07
			CHECKED:	DATE:
NorComp	SCALE: 1:1	SHEET 1	OF 1	REV 0
	DWG NO. 953-YYY-030R121			

RoHS COMPLIANT